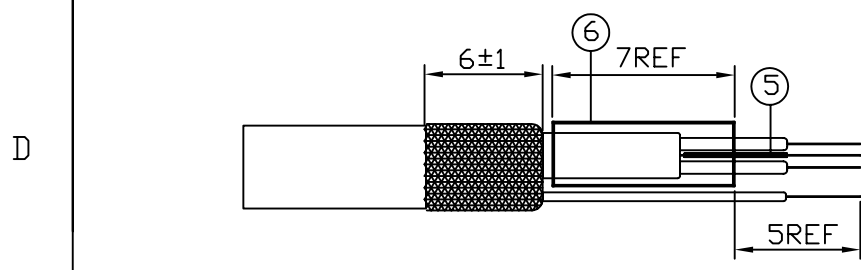
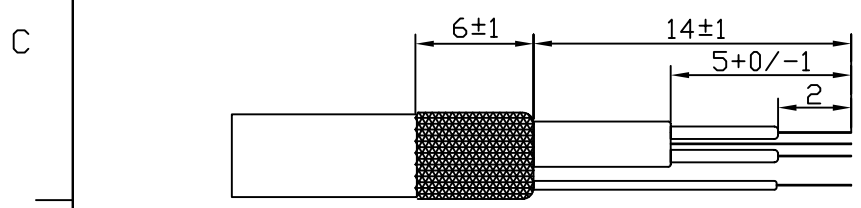
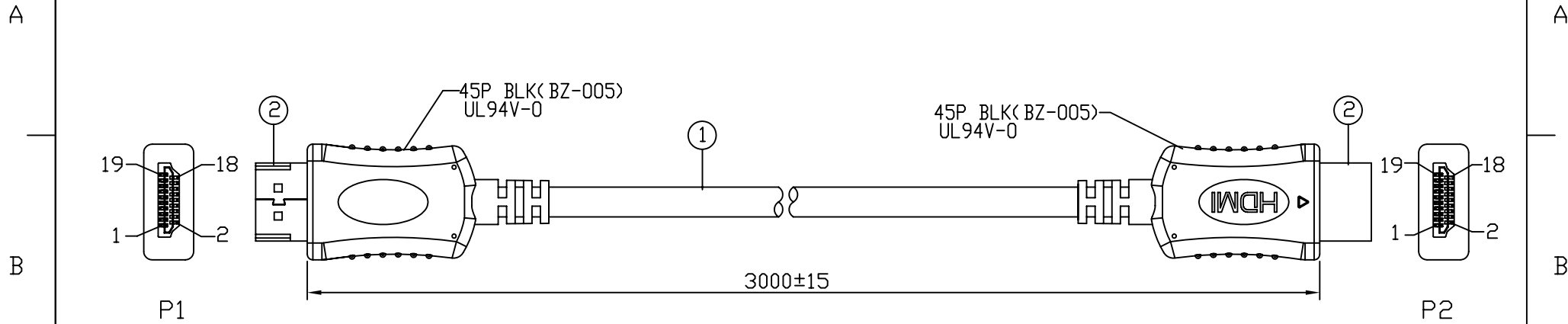


T/NO.	1	2	3	4	5	6
	NQ(HDMI)19-04				REVISIONS	
	WQ(HDMI)19-04			REV	DESCRIPTION	DATE
						APPROVED



BizLink TECHNOLOGY SZ.		TITLE		PROJECTION:
		HDMI A-A CABLE ASSY		
DRAWN BY YUAN		DATE 12/23/2004	PART NUMBER	UPC NO.
FIRST TRIAL		DATE	1-H2N8TB3N-0	SCALE:
CHECKED BY		DATE	DRAWING NUMBER	REV. NONE
APPROVED BY		DATE	*****	SIZE: A4
TOLERANCES UNLESS NOTED:			REV. S0	SHEET: 1/3

T/NO.	1	2	3	4	5	6	
				REVISIONS			
				REV	DESCRIPTION	DATE	APPROVED

A

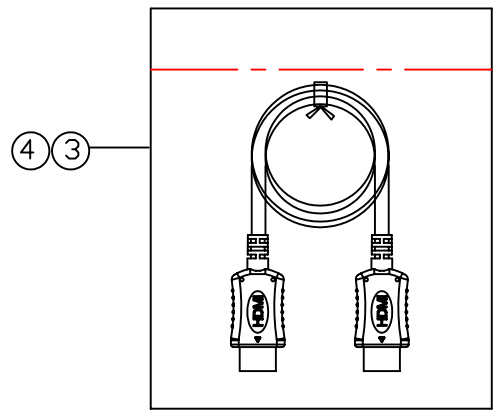
A

WIRE LIST

P1	PAIR#	COLOUR	P2
1	PAIR1	RED	1
2		DRAIN	2
3		WHT	3
4	PAIR2	GRN	4
5		DRAIN	5
6		WHT	6
7	PAIR3	BLU	7
8		DRAIN	8
9		WHT	9
10	PAIR4	BRN	10
11		DRAIN	11
12		WHT	12
13	SIGNAL	RED	13
14	SIGNAL	BLK	14
15	SIGNAL	VID	15
16	SIGNAL	BRN	16
17	PAIR	DRN	17
18		YEL	18
19	SIGNAL	WHT	19
SHELL		BRAID	SHELL

B

B



C

C

SPECIFICATION

Q'TY

- CABLE : UL20276(1P*28#+AE)*4+1P*28#+5C*28#+AB
OD=7.0MM BLK L=3000MM
- HDMI : 19P FEMALE A TYPE BLK 15U" GOLD BIZCONN
#660-19FNPS5NBN&E660-19FFCN0&E660-19FBCN0
- PE BAG : L*W=8"*6" T=0.05MM
- MINI TIE : L=120MM BLK
- H.S TUBE : ID*L=1.0*3.0MM FUE-5 BLK
- H.S TUBE : ID*L=2.0*7.0MM FUE-2 CLEAR

- 1
- 2
- 1
- 1
- 8
- 8

		TITLE		PROJECTION:
		HDMI A-A CABLE ASSY		
DRAWN BY YUAN		DATE 12/23/2004	PART NUMBER 1-H2N8TB3N-0	UPC NO.
FIRST TRIAL		DATE	DRAWING NUMBER *****	
CHECKED BY		DATE	REV. S0	SCALE: NONE
APPROVED BY		DATE	TOLERANCES UNLESS NOTED:	
			SHEET: 2/3	

D

D

1	2	3	4	5	6
---	---	---	---	---	---


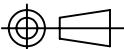
	1	2	3	4	5	6
T/NO.				REVISIONS		
				REV	DESCRIPTION	DATE APPROVED

Connector Electrical Characteristics

Item	Test Condition	Requirement
Contact Resistance	Mated connectors Contact:measure by dry circuit,20 mVolts maximum, 10mA. Shell:measured by open circuit,5 Volts maximum ,100mA. (ANSI/EIA-364-06A-83)	Contact: 30 milliohms maximum Shell: 50 milliohms maximum
Insulation Resistance	(ANSI/EIA-364-21,Method 302)	100 megaohms minimum (unmated)
	Mated connectors,apply 150Volts DC between Adjacent terminal or ground.	10 megaohms minimum (Mated)
Cable Flex	100 cycles in each of 2 planes Dimension frequency:13 times per minute X=3.7*Cable Diameter (ANSI/EIA-364-41,Condition I)	Discontinuity 1 usec maximum

Signal integrity requirements

Test Condition	Specification Requirement
TMDS Signal Time Domain Impedance	100± 15 ohms Connector Area 100± 15 ohms Transition Area 100± 10 ohms Cable Area
TMDS Signal Time Domain Crosstalk FEXT	5% Max
Max Cable Assembly Intra-Pair Skew	151 psec (0.25 Tbit)
Max Cable Assembly Inter-Pair Skew	2.42 nsec (0.4 Tpixel)
Attenuation	< 8dB @ 300KHz ~ 825MHz < 21dB @ 825MHz ~ 2.475GHz < 30dB @ 2.475GHz ~ 4.125GHz

		TITLE HDMI A-A CABLE ASSY		PROJECTION: 
		PART NUMBER 1-H2N8TB3N-0	UPC NO.	UNITS: mm
DRAWN BY YUAN	DATE 12/23/2004	DRAWING NUMBER *****	REV. S0	SCALE: NONE
FIRST TRIAL	DATE		SIZE: A4	
CHECKED BY	DATE	TOLERANCES UNLESS NOTED:		SHEET: 3/3
APPROVED BY	DATE			