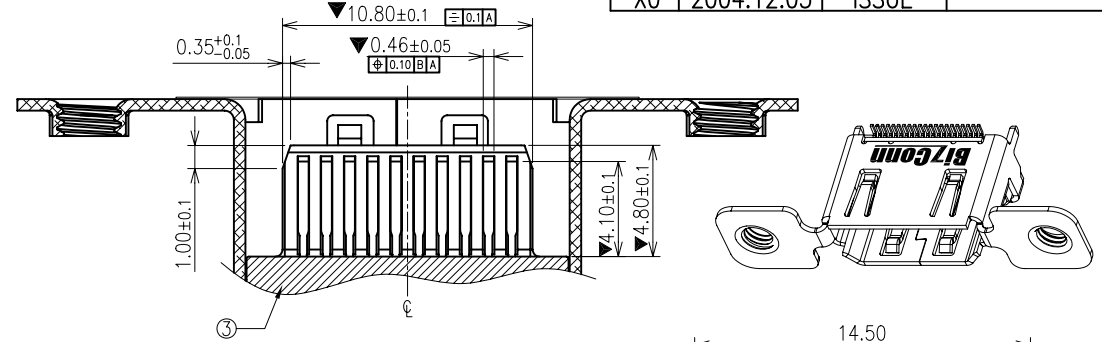
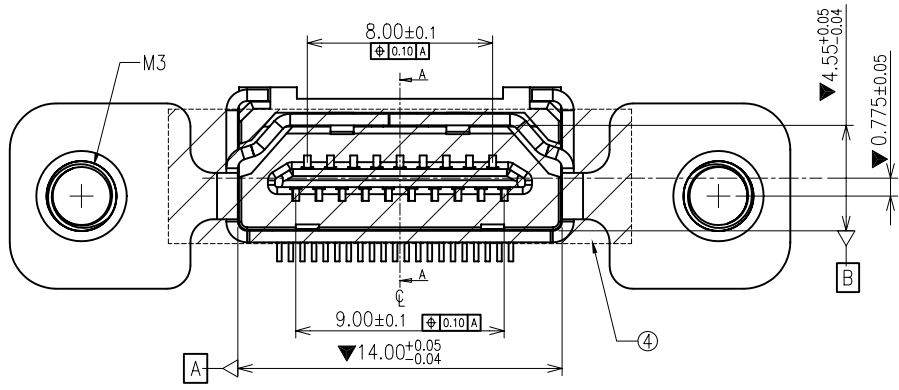
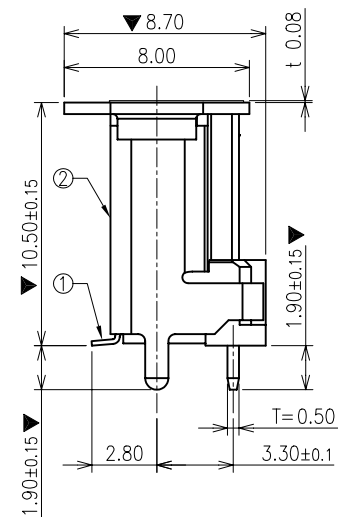
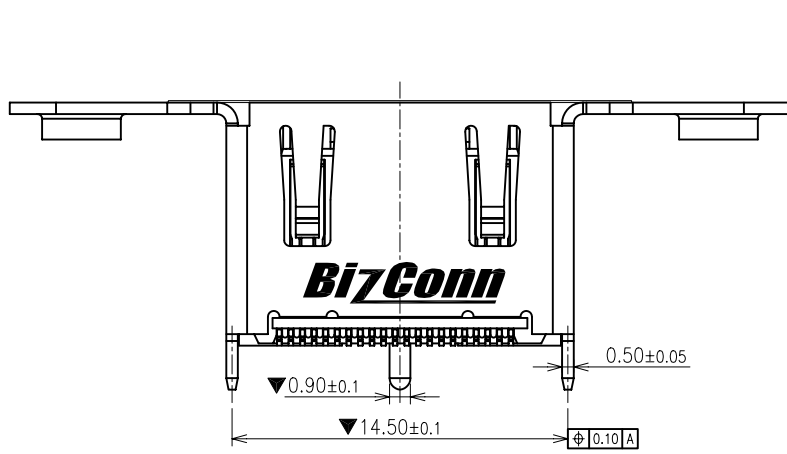
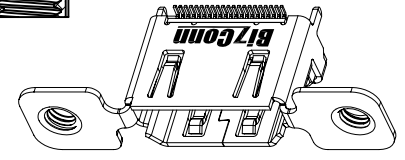


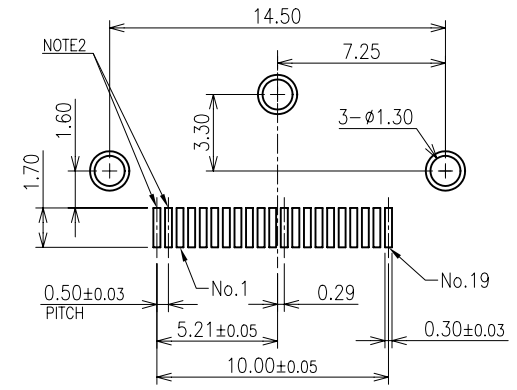
REV.	DATE	CONTENT	ECN.	NO.
X0	2004.12.03	ISSUE		



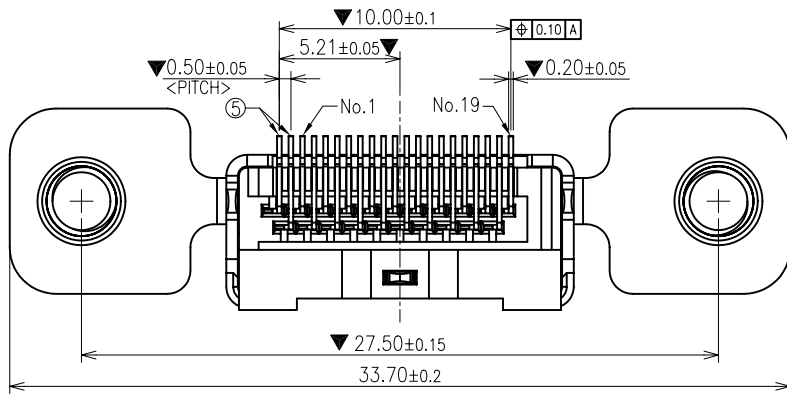
SECTION B-B



SECTION A-A



APPLICABLE P.C.B. DIMENSION(REF.)



NO.	TITLE	Q'TY	MATERIAL	FEMARK
5	DUMMY TERMINAL	2	PHOSPHOR BRONZE	GOLD PLATING OVER NICKEL
4	HEAT RESISTING TAPE	1	POLYIMIDE	-----
3	HOUSING	1	LCP	UL94V-0; COLOR:BLACK
2	SHELL	1	PHOSPHOR BRONZE	TIN PLATING
1	TERMINAL	19	PHOSPHOR BRONZE	GOLD PLATING OVER NICKEL CONTACT AREA: Au30u" Min.

X. ± 0.50	X° ± 4°	UNITS: MM	NAME(INTENDED USE) SALES FOR HDMI-19pin MALE 180° SMT	BizConn BizConn International Electronic CO.,LTD.
.X ± 0.38	.X° ± 2°	MAT'L:		
.XX ± 0.20	.XX° ±	FINISH	PART NO.(INTENDED USE) 662-19L*PS*EBBV	FILE NO.: WDR-032-04060
.XXX ± 0.10	.XXX° ±		APPD:	PROJECT NO. BC-M04036
QUALITY SYMBOLS CRITICAL=▽ MAJOR=▼	Q'TY	CHKD:	DR: 程襄東 2004.12.03	SCALE SHEET REV. NONE 1/2 X0

REV.	DATE	CONTENT	ECN.	NO.
X0	2004.12.03	ISSUE		

NOTE:

- MATERIAL  
HOUSING: GLASS FILLED HEAT-RESISTED RESIN. UL94V-0  
TERMINAL: COPPER ALLOY  
SHELL: COPPER ALLOY

- PLATING  
TERMINAL : (CONTACT AREA) GOLD(Au)  
(SOLDERTAIL AREA) TIN-COPPER  
(UNDER-PLATING) NICKEL(Ni)

SHELL : PLATING NICKEL (Ni)

3. PRODUCT CODE

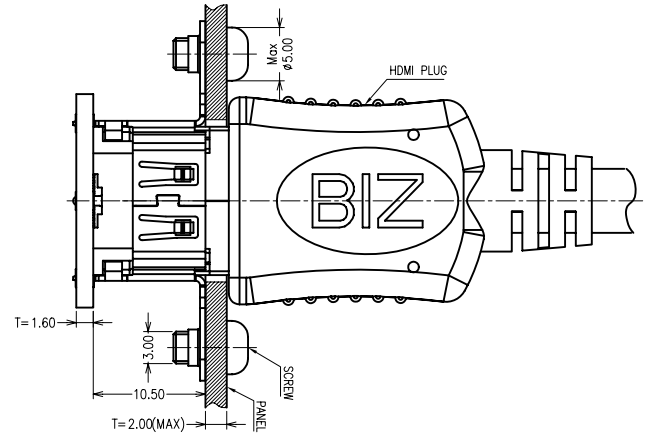
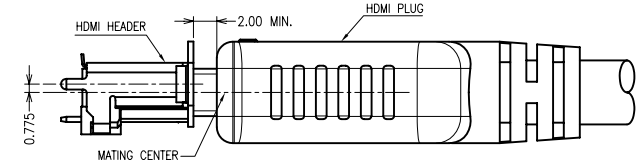
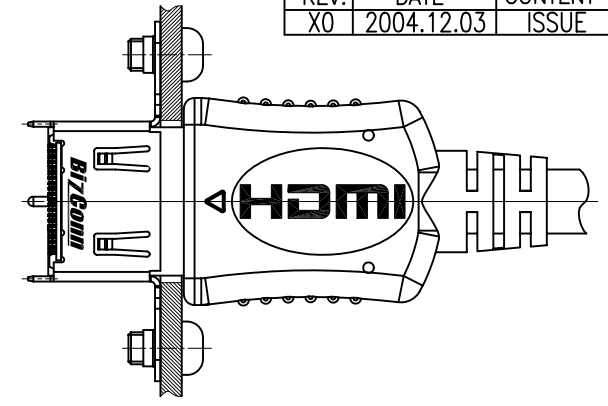
662 - 19 \* \* \* \*\* \* \* \* \*

- T--SMT ; D--DIP ; V--180°SMT
- MARK: N--NO MARK ; B--BIZCONN
- COLOR: B--Black ; W--White
- A:有接地片(M3\*0.5,HOLE=7.2mm)
- B:有接地片(4-40 UNC,HOLE=7.2mm)
- C:有接地片(M3\*0.5,HOLE H=5.2mm)
- D:有接地片(4-40 UNC,HOLE=7.2mm)
- E:兩側有接地片
- N:無接地片
- TERMINAL PLATING:  
SA--15u"Au, 50u"Ni,100u"Sn;  
SF--30u"Au,50u"Ni,100u"Sn;

- Terminal Material:  
P--PHOSPHOR BRONZE  
B--BRONZE

- SHELL PLATING:  
N--PLATING Ni  
T--PLATING Sn  
Z--PLATING Zn  
G--GOLD FLASH

- HOUSING:  
P:PBT L:LCP N:NYLON  
19--19PIN ; 29--29PIN  
662--HDMI HEADER



MATED CONDITION(REF.)

X. ± 0.50	X° ± 4°	UNITS: MM	NAME(INTENDED USE) SALES FOR HDMI-19pin MALE 180° SMT	BizConn BizConn International Electronic CO.,LTD.
.X ± 0.38	.X° ± 2°	MAT'L:	PART NO.(INTENDED USE) 662-19L*PS*EBBV	FILE NO.: WDR-032-04060
.XX ± 0.20	.XX° ±	FINISH	APPD:	PROJECT NO. BC-M04036
.XXX ± 0.10	.XXX° ±	Q'TY	CHKD:	SCALE SHEET REV. NONE 2/2 X0
QUALITY SYMBOLS CRITICAL=▽ MAJOR=▼		DR: 程襄東 2004.12.03		