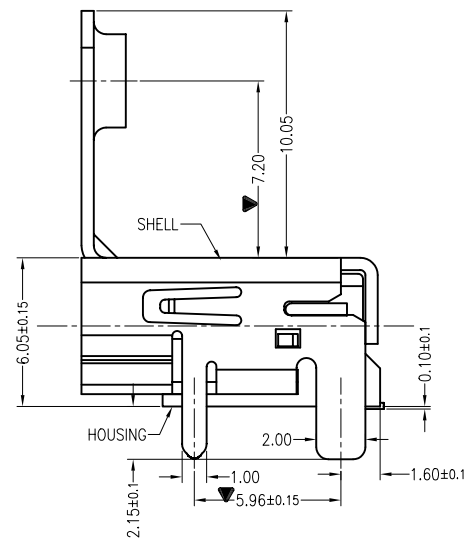
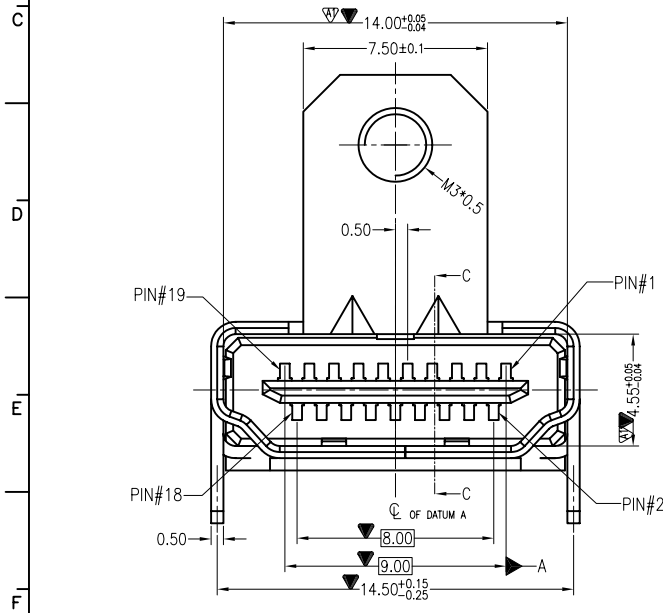
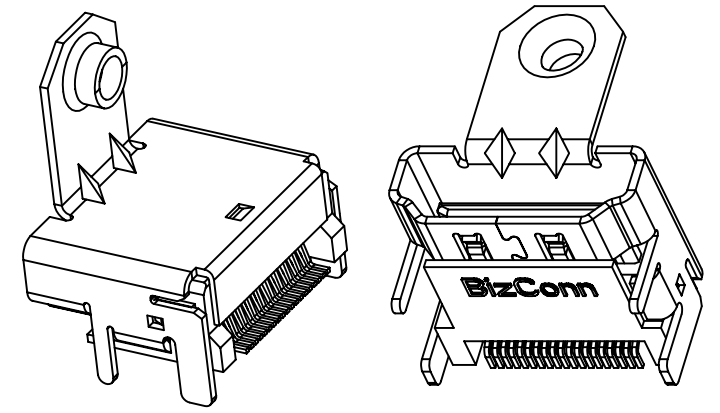
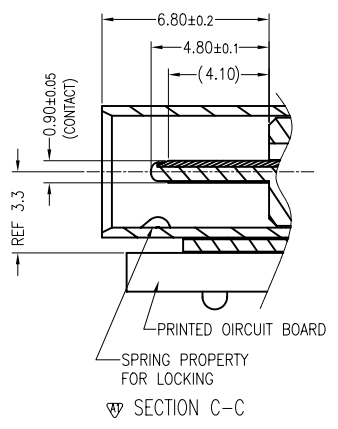
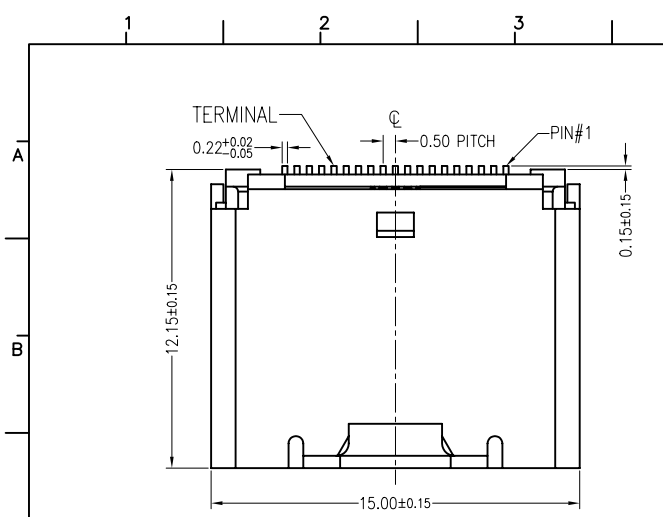
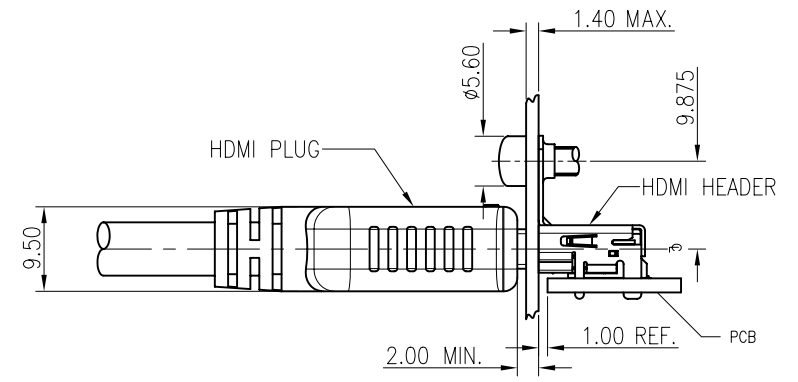


REV.	DATE	CONTENT	ECN.	NO.
A1	2004.10.20			



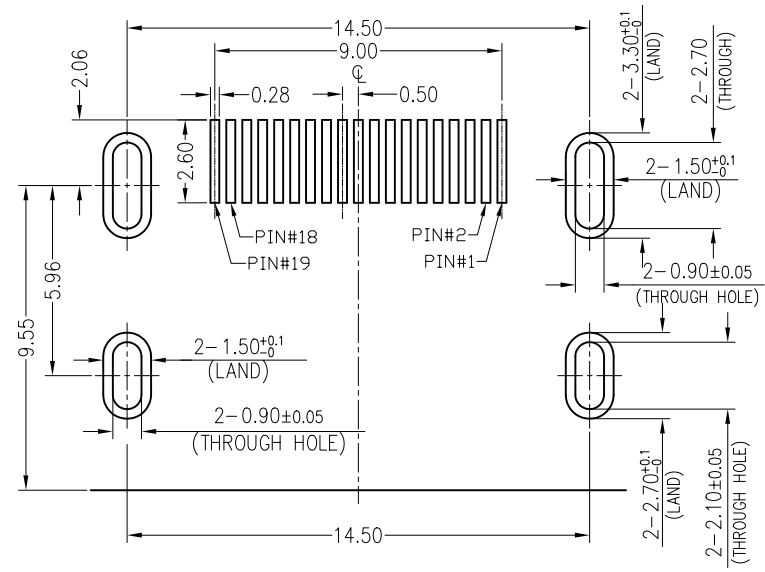
REFERENCE MOUNT DIMENSION (SCALE 1:4)



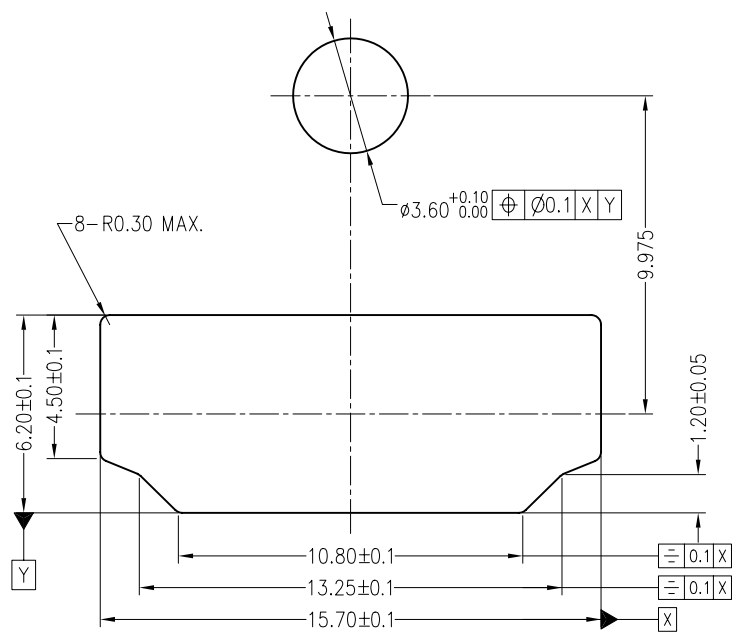
X. $\pm 0.50$	X° $\pm 1^\circ$	UNITS: MM	NAME (INTENDED USE)	BizConn
.X $\pm 0.38$	.X° $\pm 0.5^\circ$	MAT'L:	SALES FOR HDMI-19PIN HEADED(SMT) with Flange Shell	BizConn International Electronic CO.,LTD.
.XX $\pm 0.20$	.XX° $\pm$	SEE NOTE	PART NO. (INTENDED USE)	FILE NO.:
.XXX $\pm 0.10$	.XXX° $\pm$	FINISH	*****	WDR-032-04025
QUALITY SYMBOLS		SEE NOTE	APPD:	PROJECT NO.
CRITICAL=▽		Q'TY	CHKD:	BC-M03032
MAJOR=▼		DR: 程襄東 2004.10.20		SCALE SHEET REV.
				NONE 1/2 A1

REV.	DATE	CONTENT	ECN.	NO.
A1	2004.10.20			

RECOMMENDED P.C.B. PATTERN LAYOUT(T=1.6±0.1)



REFERENCE PANEL CUT OUT DIMENSION



NOTE:

- MATERIAL  
HOUSING: GLASS FILLED HEAT-RESISTED RESIN. UL94V-0  
TERMINAL: COPPER ALLOY  
SHELL COPPER ALLOY
- PLATING  
TERMINAL : (CONTACT AREA) GOLD(Au)  
(SOLDERTAIL AREA) TIN-COPPER  
(UNDER-PLATING) NICKEL(Ni)  
SHELL : PLATING NICKEL (Ni)
- PRODUCT CODE

662 - 19 \* \* \* \*\* \* \* \* \*

- T--SMT ; D--DIP
- MARK: N--NO MARK ; B--BIZCONN
- COLOR: B--Black ; W--White
- A:有接地片(M3\*0.5) B:有接地片(4-40 UNC)
- N:無接地片
- PLATING:
  - SA--15u"Au, 50u"Ni,100u"Sn;
  - SD--5u"Au,50u"Ni,100u"Sn;
  - SE--10u"Au,50u"Ni,100u"Sn;
  - SF--30u"Au,50u"Ni,100u"Sn;
- Terminal Material:
  - P--PHOSPHOR BRONZE
  - B--BRONZE
- SHELL PLATING:
  - N--PLATING Ni
  - T--PLATING Sn
  - Z--PLATING Zn
  - G--GOLD FLASH
- HOUSING:
  - L:LCP
  - 19--19PIN ; 29--29PIN
  - 662--HDMI HEADER

X. ±0.50	X° ±1°	UNITS: MM	NAME(INTENDED USE)	BizConn
.X ±0.38	.X° ±0.5°	MAT'L:	SALES FOR HDMI-19PIN HEADED(SMT) with Flange Shell	BizConn International Electronic CO.,LTD.
.XX ±0.20	.XX° ±	SEE NOTE	PART NO.(INTENDED USE)	FILE NO.:
.XXX ±0.10	.XXX° ±	FINISH	*****	WDR-032-04025
QUALITY SYMBOLS	Q'TY	SEE NOTE	APPD:	PROJECT NO.
CRITICAL=▽			CHKD:	BC-M03032
MAJOR=▼			DR: 程襄東 2004.10.20	SCALE SHEET REV.
				NONE 2/2 A1